

2-1/2" - Severe Duty Gauge



A multi-purpose gauge for severe industrial service where ruggedness is required, especially when vibration or pulsation is a factor. The case may be liquid filled to reduce the effects of pulsation or vibration and to protect from hostile environments.

Movement has high and low mechanical stops at 20% above and below scale.

Specifications

- Size..... 2 1/2" (60mm)
- Case & Ring..... 304 S.S. with TIG welded case and crimped ring
- Window..... Glass (acrylic optional)
- Pointer..... Standard, black
- Dial..... Aluminum, black markings on white background--dual scale psig/metric (single scale optional)
- Bourdon Tube and Socket..... 316 S.S. tube and socket, Heliarc welded. Stress-relieved.
- Connection..... 1/4" NPT bottom or lower back
- Movement..... Rotary geared, stainless steel
- Liquid Fillable..... Standard
- Accuracy..... ± 1% (ANSI Grade A)
- Internal Pulsation Restrictor..... Standard

RANGE SELECTION TABLE

Ranges (PSIG)	Range Code	Value of Smallest Graduation	
		1" Hg	psig
30" -0 VAC	01	1" Hg	-
30" -0- 15	02	2"	1 psig
30" -0- 30	03	2"	1
30" -0- 60	04	2"	2
30" -0- 100	05	5"	2
30" -0- 160	06	5"	5
30" -0- 300	07	10	10
0-15	08	0.5 psig	
0-30	09	1	
0-60	10	2	
0-100	11	2	
0-160	12	5	
0-200	13	5	
0-300	14	10	
0-400	15	10	
0-600	16	10	
0-800	17	20	
0-1000	18	20	
0-1500	19	50	
0-2000	20	50	
0-3000	21	100	
0-4000	22	100	
0-5000	23	100	
0-6000	24	100	
0-10,000	25	200	
0-15,000	26	500	

Options

- Service: Ammonia, Oxygen, Freon
- Acrylic Window
- Liquid Fills - Glycerine (0 to 165° F)
Silicone (-40 to 165° F)
Halocarbon (-40 to 165° F)
- Glycerine Mixture available for operation to -40° C (-40° F)
- 9/16" - 18 UNF metal seal fittings compatible with Cajon "VCR"7 or Hoke "Vaculok"7.

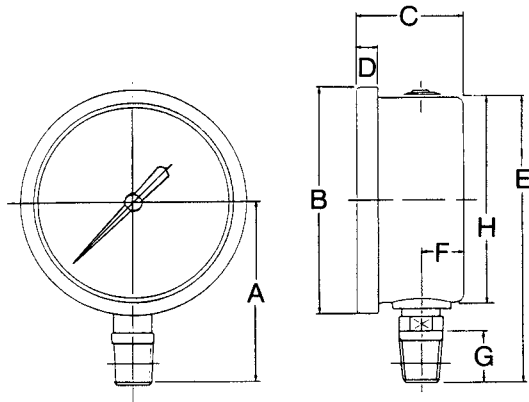
Selection Codes

- G125ASD (#)S • 1/4" Bottom Connection - Stem Mount
- G425BSD (#)S • 1/4" Lower Back Connection - Flush Panel Mount w/Mounting U-Clamp
- G525BSD (#)S • 1/4" Lower Back Connection - Stem Mount

(#) Insert Range Code from Range Selection Table

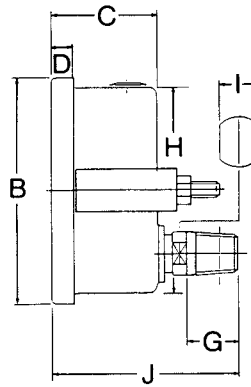
2 1/2" Severe Duty Gauge

Stem Mount



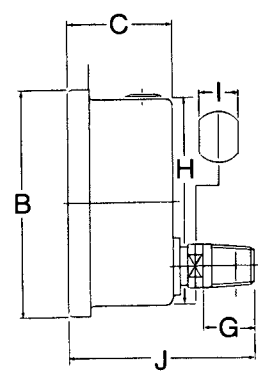
Bottom Connection
G125ASD*

Panel Mount with Clamp



Lower Back Connection
G425BSD*

Stem Mount



Lower Back Connection
G525BSD*

G Series - 2 1/2" Severe Duty Gauge

Size	Conn.	A	B	C	D	E	F	G	H	I	J
2 1/2" (60mm)	1/4" NPT	2.24 (57)	2.78 (70.6)	1.30 (33)	.26 (6.5)	3.50 (89)	.51 (13)	.63 (16)	2.52 (64)	.47 (12)	2.28 (58)

Note: Panel cut out is 2.6" (66mm).

H.....G425 supplied with rear clamp whose width is the same as the diameter of the front ring ("B" dimension).

*.....Add range code from Range Selection Table.

Distributed by: