

**2" Stainless Steel Panel Mount Gauge**



Precision small diameter gauges are designed to provide a compact unit of superior quality and appearance. They are suitable for a wide variety of installations where these features are of importance.

This model offers an unusual combination of stainless steel case, bourdon tube, socket and movement.

**RANGE SELECTION TABLE**

Ranges (PSIG)	Range Code	Value of Smallest Graduation	
30" -0 VAC*	01	2" Hg	-
30" -0- 30	03	5"	2 psig
30" -0- 60	04	5"	2
30" -0- 100	05	10"	5
30" -0- 160	06	10"	5
30" -0- 300	07	30"	10
0-15*	08	0.5 psig	
0-30	09	1	
0-60	10	2	
0-100	11	5	
0-160	12	5	
0-200	13	10	
0-300	14	10	
0-400	15	20	
0-600	16	20	
0-1000	18	50	
0-1500	19	50	
0-2000	20	100	
0-3000	21	100	
0-4000	22	200	

\* Scale is 180° arc

**Selection Codes**

GU55-212 (#) 2" (50MM) • 1/4" NPT Center Back Connection  
 GU55-213 (#) 2" (50MM) • 1/8" NPT Center Back Connection

(#) Insert Range Code from Range Selection Table

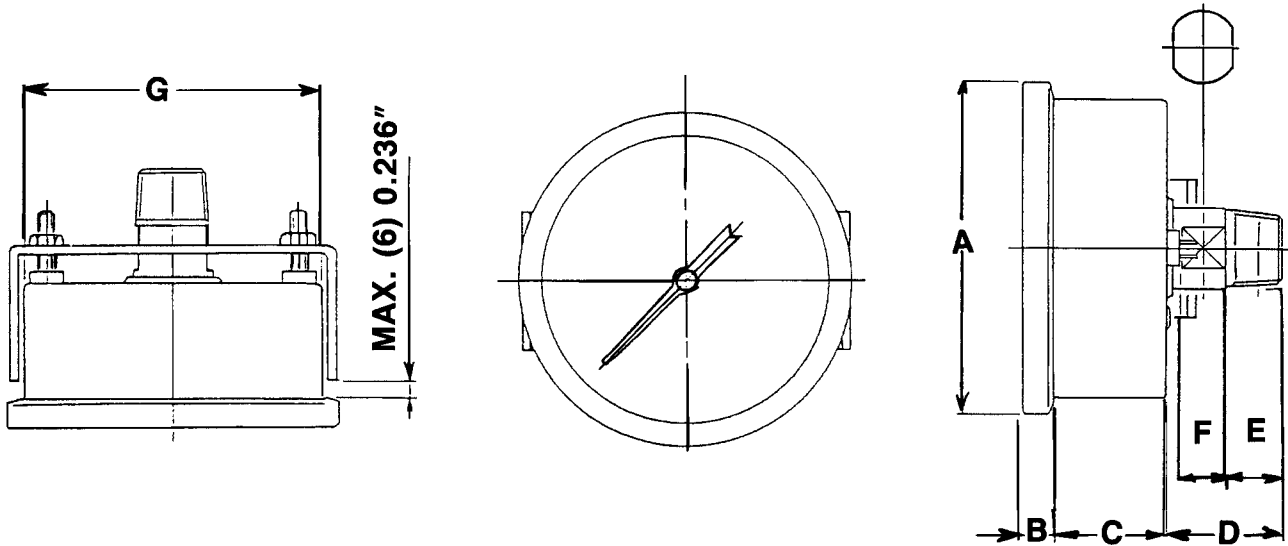
**Specifications**

- Size..... 2" (50mm)
- Case & Ring..... 304 Stainless Steel with back blowout plug
- Window..... Acrylic
- Pointer..... Standard, black
- Dial..... Aluminum, black markings on white background
- Bourdon Tube..... 316 Stainless Steel (Heliarc welded)
- Movement..... Stainless Steel, rotary geared
- Mountings..... Panel Mount, center back connection, U-clamp with 2 studs
- Connection..... 1/4" NPT 316 stainless steel connection  
 1/8" NPT 316 stainless steel connection
- Accuracy..... ±2% (ANSI Grade B)

**Options**

- Glass Window (W)
- Dual PSIG/kPa (D)
- Pulsation Restrictor (R)
- Oxygen Cleaning (O)

## 2" Stainless Steel Panel Mount Gauges



Model GU55-212								
Size	Conn.	A	B	C	D	E	F	G
2" (50mm)	1/4" NPT	2.28 (58)	0.197 (5)	0.8 (20)	0.8 (20)	0.4 (10)	0.315 (8)	2.05 (52)

Model GU55-213								
Size	Conn.	A	B	C	D	E	F	G
2" (50mm)	1/8" NPT	2.28 (58)	0.197 (5)	0.8 (20)	0.71 (18)	0.4 (10)	0.236 (6)	2.05 (52)

Distributed by: