

## GU45 Series

### 2" Panel Mount Gauge



Precision small diameter gauges are designed to provide a compact unit of superior quality and appearance. They are suitable for a wide variety of installations where these features are of importance.

#### RANGE SELECTION TABLE

Ranges (PSIG)	Range Code	Value of Smallest Graduation	
30" -0 VAC	01	1" Hg	-
30" -0- 30	03	1"	1 psig
30" -0- 60	04	2"	2
30" -0- 100	05	2"	2
30" -0- 160	06	5"	5
0-15	08	0.5 psig	
0-30	09	1	
0-60	10	2	
0-100	11	5	
0-160	12	5	
0-200	13	10	
0-300	14	10	
0-400	15	20	
0-500	28	50	

#### Specifications

Size.....	2" (50mm)
Case & Ring.....	304 Stainless Steel
Window.....	Acrylic
Pointer.....	Standard, black
Dial.....	Aluminum, black markings on white background
Bourdon Tube.....	Copper Alloy
Movement.....	Copper Alloy geared
Mountings.....	Panel Mount, center back connection, U-clamp with 2 studs
Connection.....	1/4" NPT Brass connection for 2" (50mm) 1/8" NPT Brass connection for 2" (50mm)
Accuracy.....	±2% (ANSI Grade B)

#### Selection Codes

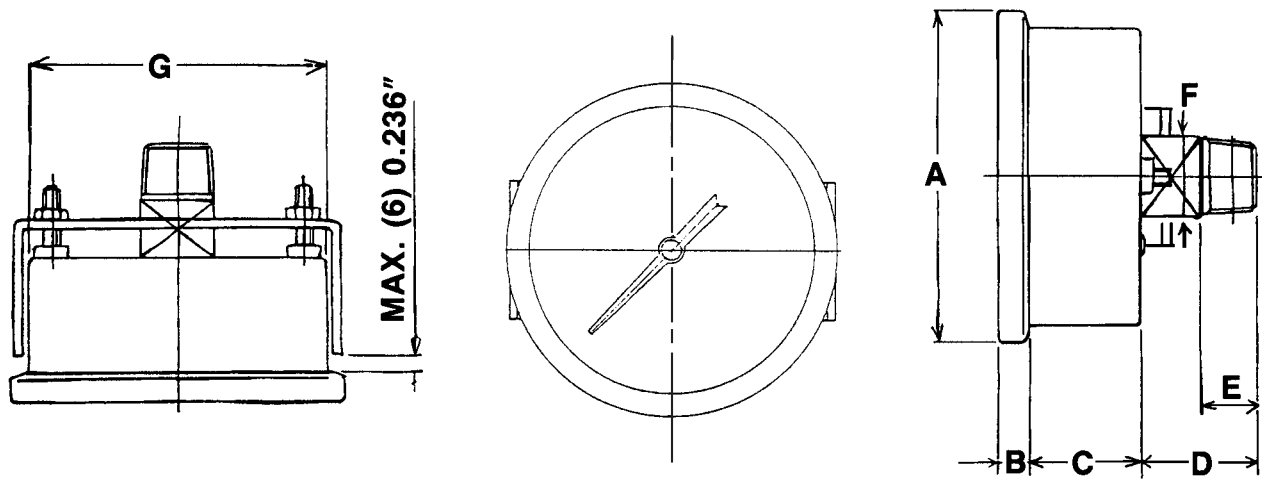
GU45-212 (#) 2" (50MM) • 1/4" NPT Center Back Connection  
 GU45-213 (#) 2" (50MM) • 1/8" NPT Center Back Connection

(#) Insert Range Code from Range Selection Table

#### Options

- Glass Window (W)
- Blowout Plug
- Pulsation Restrictor (R)
- Oxygen Cleaning (O)

## 2" Panel Mount Gauges



**Model GU45-212**

Size	Conn.	A	B	C	D	E	F	G
2" (50mm)	1/4" NPT	2.28 (58)	0.197 (5)	0.8 (20)	0.8 (20)	0.5 (12)	0.55 (14)	2.05 (52)

**Model GU45-213**

Size	Conn.	A	B	C	D	E	F	G
2" (50mm)	1/8" NPT	2.28 (58)	0.197 (5)	0.8 (20)	0.71 (18)	0.4 (10)	0.55 (14)	2.05 (52)

Distributed by: