

2 1/2" Stainless Steel Gauge



Our 2 1/2" all stainless steel GK series gauges have a 1/4" bottom stem connection, a polished stainless steel case, stainless movement and one piece polycarbonate bezel and lens. They are an excellent choice where users want a larger format than our GK53 gauges.

Specifications

- Size..... 2 1/2" (65mm)
- Case & Ring..... 304 Polished Stainless Steel with rear blowout plug
- Bezel & Lens..... One Piece Polycarbonate, threaded
- Pointer..... Standard, Black
- Dial..... Aluminum, black markings on white background
- Bourdon Tube..... 316 Stainless Steel (Heliarc welded)
- Movement..... Stainless Steel, rotary geared
- Mountings..... Stem Mount, bottom connection only
- Connection..... 1/4" NPT 316 stainless steel connection
- Accuracy..... 1.5% of full scale
- Internal Pulsation Restrictor..... Standard

RANGE SELECTION TABLE

Ranges (PSIG)	Range Code	Value of Smallest Graduation	
		2" Hg	1 psig
30" -0- 15	02	2"	1
30" -0- 30	03	2"	1
30" -0- 60	04	2"	2
30" -0- 100	05	5"	2
30" -0- 160	06	5"	5
30" -0- 300	07	10"	10
0-30" VAC	01	1" Hg	
0-15	08	0.5 psig	
0-30	09	1	
0-60	10	2	
0-100	11	2	
0-160	12	5	
0-200	13	5	
0-300	14	10	
0-400	15	10	
0-600	16	10	
0-800	17	20	
0-1000	18	20	
0-1500	19	50	
0-2000	20	50	
0-3000	21	100	
0-4000	22	100	
0-5000	23	100	
0-6000	24	100	
0-10,000	25	200	

Selection Codes

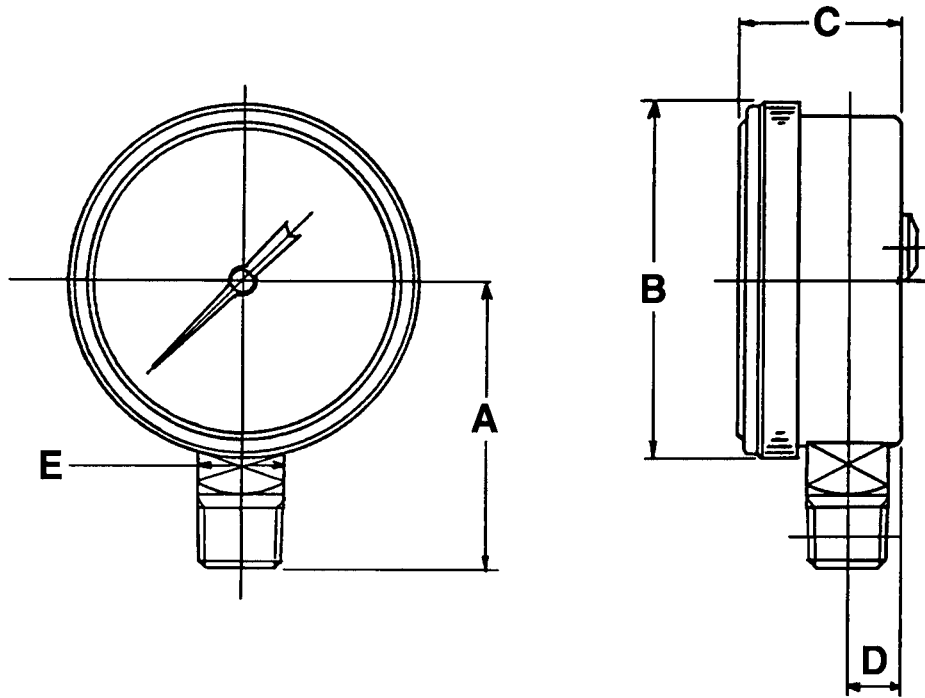
- GK54-123 (#) (65MM) • 1/4" NPT Bottom Connection
- GK54-193 (#) (65MM) • 9/16" - 18 UNF Bottom Connection

(#) Insert Range Code from Range Selection Table

Options

- PSI Ranges (P)
- Kg/cm² Ranges (K)
- Dual PSIG/kPa (D)
- Oxygen cleaning (O)
- Welded or machined metal seal fittings

2 1/2" Stainless Steel Gauge



Model GK54-123

Size	Conn.	A	B	C	D	E
2 1/2" (65mm)	1/4" NPT	2.24 (57)	2.83 (72)	1.2 (30.5)	0.41 (10.5)	0.55 (14)

Model GK54-193

Size	Conn.	A	B	C	D	E
2 1/2" (65mm)	9/16"-18UNF	2.22 (56.5)	2.83 (72)	1.2 (30.5)	0.41 (10.5)	0.55 (14)

Distributed by: