

2" Stainless Steel Gauge



Our 2" all stainless steel GK series gauges are the gauge of choice for many of America's top regulator manufacturers. These gauges have a 1/4" bottom stem connection, a polished stainless steel case, stainless movement, and a one piece threaded polycarbonate bezel and lens. The gauges are factory prepared for oxygen service.

The gauges are designed for rugged service with built-in mechanical stops. Zero pins, which can trap a pointer and cause a gauge to lose calibration are not used.

RANGE SELECTION TABLE

Ranges (PSIG)	Range Code	Value of Smallest Graduation	
		2"	5"
30" -0- 15	02	2"	1 psig
30" -0- 30	03	2"	1
30" -0- 60	04	2"	1
30" -0- 100	05	5"	2
30" -0- 200	XY	5"	5
0-15	08	0.5 psig	
0-30	09	1	
0-60	10	2	
0-100	11	5	
0-160	12	5	
0-200	13	10	
0-300	14	10	
0-400	15	20	
0-600	16	20	
0-1000	18	50	
0-1500	19	50	
0-2000	20	100	
0-3000	21	100	
0-4000	22	100	
0-6000	24	100	

Selection Codes

GK53-123 (#) 2" (50MM) • 1/4" NPT 316SS Bottom Connection
 GK53-124 (#) 2" (50MM) • 1/4" NPT 316LSS Bottom Connection
 GK53-193 (#) 2" (50MM) • 9/16" - 18 UNF Bottom Connection

(#) Insert Range Code from Range Selection Table

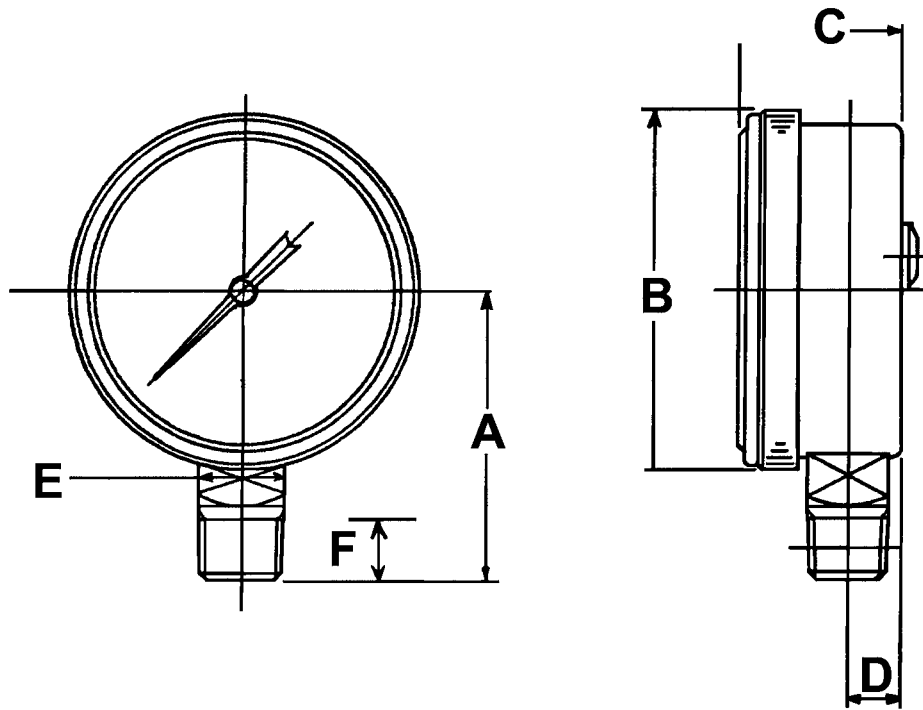
Specifications

Size..... 2" (50mm)
 Case & Ring..... 304 Polished Stainless Steel with rear blowout plug
 Bezel & Lens..... One Piece Polycarbonate, threaded
 Pointer..... Standard, black
 Dial..... Aluminum, black markings on white background
 Bourdon Tube..... 316 Stainless Steel (Heliarc welded)
 Movement..... Stainless Steel, rotary geared
 Mountings..... Stem Mount, bottom connection only
 Connection..... 1/4" NPT 316 stainless steel connection
 Accuracy..... ±2% (ANSI Grade B)

Options

- PSI Ranges (P)
- Kg/cm² PSI Ranges (K)
- Bar/PSI Ranges (V)
- kPa/PSI Ranges (D)
- Pulsation Restrictor (R)
- Welded or Machine Metal Seal Fittings
- Oxygen Cleaning (O)

2" Stainless Steel Gauges



Model GK53-123 & 124

Size	Conn.	A	B	C	D	E	F
2" (50mm)	1/4" NPT	1.85 (47)	2.28 (58)	1.08 (27.5)	0.35 (9)	0.55 (14)	0.39 (10)

Model GK53-193

Size	Conn.	A	B	C	D	E	F
2" (50mm)	9/16"-18UNF	1.98 (50.5)	2.28 (58)	1.08 (27.5)	0.35 (9)	0.55 (14)	0.61 (15.5)

Distributed by: