

2" Gauges



Precision small diameter gauges are designed to provide a compact unit of superior quality and appearance. They are suitable for a wide variety of installations where these features are of importance.

This model offers an unusual combination of stainless steel case, bourdon tube, socket and movements.

Specifications

- Size..... 2" (50mm)
- Case & Ring..... 304 Stainless Steel with rear blowout plug
- Window..... Acrylic
- Pointer..... Standard, black
- Dial..... Aluminum, black markings on white background
- Bourdon Tube..... 316 stainless steel (Heliarc welded)
- Movement..... Rotary Geared, stainless steel
- Mountings..... Stem Mount, bottom connection
Stem Mount, center back connection
- Connection..... 1/4" NPT 316 stainless steel
1/8" NPT 316 stainless steel
9/16" - 18 UNF 316 stainless steel
- Accuracy..... ±2% (ANSI Grade B)

RANGE SELECTION TABLE

Ranges (PSIG)	Range Code	Value of Smallest Graduation	
30" -0 VAC*	01	1" Hg	-
30" -0- 30	03	5"	2 psig
30" -0- 60	04	5"	2
30" -0- 100	05	10"	5
30" -0- 160	06	10"	5
30" -0- 300	07	30"	10
0-15*	08	0.5 psig	
0-30	09	1	
0-60	10	2	
0-100	11	5	
0-160	12	5	
0-200	13	10	
0-300	14	10	
0-400	15	20	
0-600	16	50	
0-1000	18	50	
0-1500	19	50	
0-2000	20	100	
0-3000	21	100	
0-4000	22	200	

* Scale is 180° arc

Selection Codes

- GK30-212 (#) 2" (50MM) • 1/4" NPT Bottom Connection
- GK35-212 (#) 2" (50MM) • 1/4" NPT Center Back Connection
- GK30-213 (#) 2" (50MM) • 1/8" NPT Bottom Connection
- GK35-213 (#) 2" (50MM) • 1/8" NPT Center Back Connection
- GK30-214 (#) 2" (50MM) • 9/16" - 18 UNF Male Face Seal Bottom Connection
- GK35-214 (#) 2" (50MM) • 9/16" - 18 UNF Male Face Seal Center Back Connection

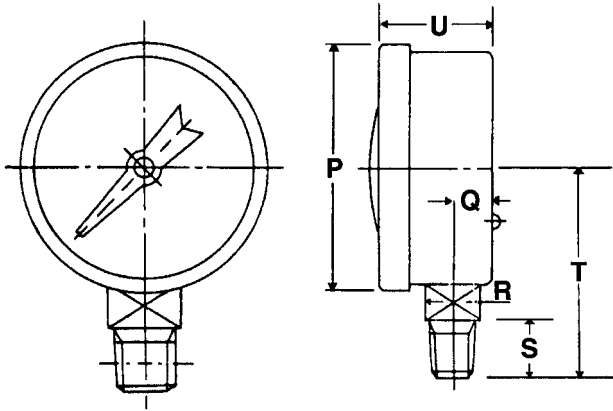
(#) Insert Range Code from Range Selection Table

Options

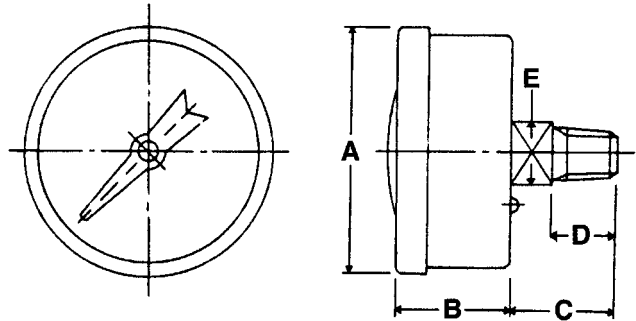
- Scale Markings: Instrument (I), Output (O), or Supply (S)
- Glass Window (W)
- Dual PSIG/kPa (D)
- Pulsation Restrictor (R)
- Oxygen Cleaning (O)

2" Gauges

Bottom Connection



Center Back Connection



Model GK30-213

Size	Conn.	P	Q	R	S	T	U
2" (50mm)	1/8" NPT	2.125 (54)	0.33 (8.5)	0.5 (12)	0.4 (10)	1.6 (41)	0.93 (23.5)

Model GK35-213

Size	Conn.	A	B	C	D	E
2" (50mm)	1/8" NPT	2.125 (54)	0.93 (23.5)	0.63 (16)	0.4 (10)	0.5 (12)

Model GK30-212

Size	Conn.	P	Q	R	S	T	U
2" (50mm)	1/4" NPT	2.125 (54)	0.33 (8.5)	0.55 (14)	0.5 (12)	1.85 (47)	0.93 (23.5)

Model GK35-212

Size	Conn.	A	B	C	D	E
2" (50mm)	1/4" NPT	2.125 (54)	0.93 (23.5)	0.8 (20)	0.5 (12)	0.55 (14)

Model GK30-214

Size	Conn.	P	Q	R	S	T	U
2" (50mm)	9/16"-18UNF	2.1 (53)	0.33 (8.5)	0.55 (14)	0.61 (15.5)	1.99 (50.5)	1.02 (26)

Model GK35-214

Size	Conn.	A	B	C	D	E
2" (50mm)	9/16"-18UNF	2.1 (53)	1.02 (26)	1.0 (25.4)	0.61 (15.5)	0.5 (12)

Distributed by: