

1 1/2" & 2" Gauges



Precision small diameter gauges are designed to provide a compact unit of superior quality and appearance. They are suitable for a wide variety of installations where these features are of importance.

The GK20 and GK25 models can be ordered with imprinted dials specifically for positioner use. The stainless case of these gauges will provide years of satisfactory service.

RANGE SELECTION TABLE

Ranges (PSIG)	Range Code	Value of Smallest Graduation	
30" -0 VAC	01	1" Hg	-
30" -0- 30	03	5"	2 psig
30" -0- 60	04	5"	2
30" -0- 100	05	10"	5
30" -0- 160	06	10"	5
0-15	08	0.5 psig	
0-30	09	1	
0-60	10	2	
0-100	11	5	
0-160	12	5	
0-200	13	10	
0-300**	14	10	
0-400**	15	20	
0-500**	28	20	

** Available in 2" size only

Specifications

Size.....	1 1/2" (40mm) 2" (50mm)
Case & Ring.....	304 Stainless Steel
Window.....	Acrylic
Pointer.....	Standard, black
Dial.....	Aluminum, black markings on white background
Bourdon Tube.....	Copper Alloy
Movement.....	Copper Alloy, geared
Mountings.....	Stem Mount, bottom connection Stem Mount, center back connection
Connection.....	1/8" NPT Brass connection for 1 1/2" (40mm) 1/4" NPT Brass connection for 2" (50mm) 1/8" NPT Brass connection for 2" (50mm)
Accuracy.....	±2 (ANSI Grade B)

Selection Codes

GK20-211	(#)	1 1/2" (40MM)	• 1/8" NPT Bottom Connection
GK25-211	(#)	1 1/2" (40MM)	• 1/8" NPT Center Back Connection
GK20-212	(#)	2" (50MM)	• 1/4" NPT Bottom Connection
GK25-212	(#)	2" (50MM)	• 1/4" NPT Center Back Connection
GK20-213	(#)	2" (50MM)	• 1/8" NPT Bottom Connection
GK25-213	(#)	2" (50MM)	• 1/8" NPT Center Back Connection

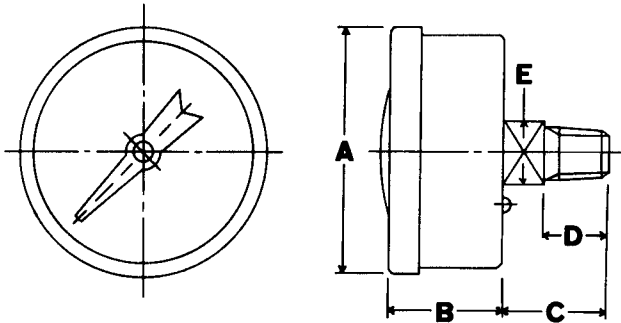
(#) Insert Range Code from Range Selection Table

Options

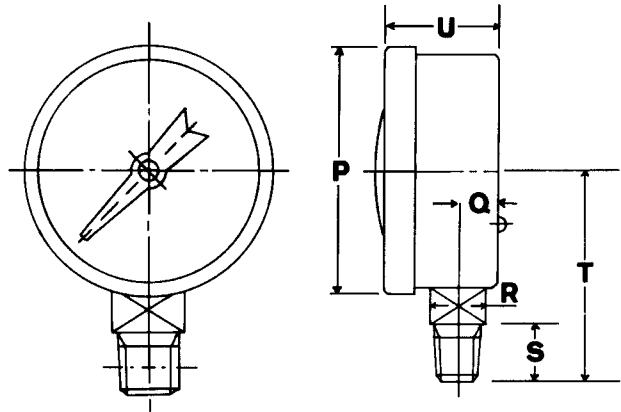
- Scale Markings (30 & 60 psig): Instrument (I), Output (O), or Supply (S)
- Glass Window (W)
- Blowout Plug
- Pulsation Restrictor (R)
- Oxygen Cleaning (O)

1 1/2" x 2" Gauges

Center Back Connection



Bottom Connection



Model GK25-211

Size	Conn.	A	B	C	D	E
1 1/2" (40mm)	1/8" NPT	1.73 (44)	0.84 (21.5)	.63 (16)	0.4 (10)	0.5 (12)

Model GK20-211

Size	Conn.	P	Q	R	S	T	U
1 1/2" (40mm)	1/8" NPT	1.73 (44)	0.30 (7.5)	0.5 (12)	0.4 (10)	1.5 (36)	0.84 (21.5)

Model GK25-213

Size	Conn.	A	B	C	D	E
2" (50mm)	1/8" NPT	2.125 (54)	0.93 (23.5)	0.63 (16)	0.4 (10)	0.5 (12)

Model GK20-213

Size	Conn.	P	Q	R	S	T	U
2" (50mm)	1/8" NPT	2.125 (54)	0.33 (8.5)	0.5 (12)	0.4 (10)	1.7 (43)	0.93 (23.5)

Model GK25-212

Size	Conn.	A	B	C	D	E
2" (50mm)	1/4" NPT	2.125 (54)	0.93 (23.5)	0.8 (20)	0.5 (12)	0.55 (14)

Model GK20-212

Size	Conn.	P	Q	R	S	T	U
2" (50mm)	1/4" NPT	2.125 (54)	0.33 (8.5)	0.55 (14)	0.5 (12)	1.85 (47)	0.93 (23.5)

Distributed by: