



**4" - Severe Duty Gauge**

**Severe Duty Gauge Model G (liquid fillable) 304 S.S. Case**

A multi-purpose gauge for severe industrial service where ruggedness is required, especially when vibration or pulsation is a factor. The case may be liquid filled to reduce the effects of pulsation or vibration and to protect from hostile environments. Movement has high and low mechanical stops at +20% of scale travel.

**Specifications**

- Size..... 4" (100mm)
- Case & Ring..... 304 S.S. with 304 S.S. bayonet ring (weatherproof)
- Window..... Acrylic, (safety glass optional)
- Pointer..... Standard, black
- Dial..... Aluminum, black markings on white background--dual scale psig/metric (single scale optional)
- Bourdon Tube and Socket..... 316 S.S. bourdon tube and socket, Heliarc welded.
- Connection..... 1/2" or 1/4" NPT bottom or lower back
- Movement..... Rotary geared, stainless steel
- Liquid Fillable..... Standard
- Accuracy..... + 1% (ANSI Grade A)
- Internal Pulsation Restrictor..... Standard

RANGE SELECTION TABLE			
Ranges (PSIG)	Range Code	Value of Smallest Graduation	
30" -0 VAC	01	0.5" Hg	-
30" -0- 15	02	1"	1 psig
30" -0- 30	03	1"	1
30" -0- 60	04	2"	2
30" -0- 100	05	2"	2
30" -0- 160	06	5"	5
30" -0- 300	07	5"	5
0-15	08	0.2 psig	
0-30	09	0.5	
0-60	10	1	
0-100	11	1	
0-160	12	2	
0-200	13	2	
0-300	14	5	
0-400	15	5	
0-600	16	5	
0-800	17	10	
0-1000	18	10	
0-1500	19	10	
0-2000	20	20	
0-3000	21	20	
0-4000	22	50	
0-5000	23	50	
0-6000	24	50	
0-10,000	25	100	
0-15,000	26	100	
0-20,000	70	200	

**Options**

- Service: Ammonia, Oxygen, Freon
- Safety glass for high temperature or hostile environments.
- Liquid Fills- Glycerine (0 to 165° F)  
Silicone (-40 to 165° F)
- Glycerine Mixture available for operation to -40° C (-40° F)

**Selection Codes**

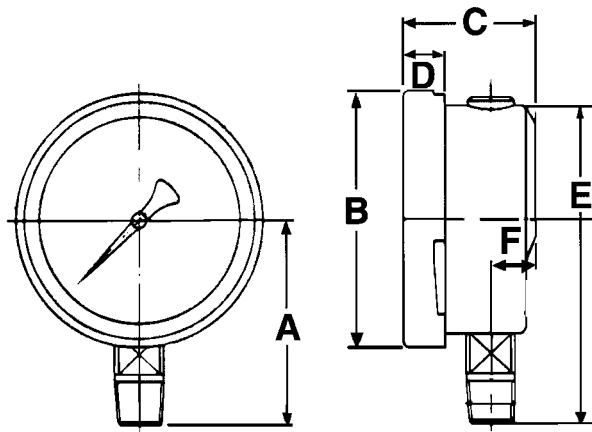
- G145ASD (#)S • 1/4" NPT Lower Mount- Stem Connection
- G145CSD (#)S • 1/2" NPT Lower Mount- Stem Connection
- G345BSD (#)S • 1/4" NPT Lower Back Mount- Flush Panel Mountw/Flange Mounting Holes
- G345DSD (#)S • 1/2" NPT Lower Back Mount- Flush Panel Mountw/Flange Mounting Holes

- G445BSD (#)S • 1/4" NPT Lower Back Mount- Flush Panel Mountw/2 Mounting Clamps
- G445DSD (#)S • 1/2" NPT Lower Back Mount- Flush Panel Mountw/2 Mounting Clamps
- G545BSD (#)S • 1/4" Lower Back Mount- Stem Connection
- G545DSD (#)S • 1/2" Lower Back Mount- Stem Connection

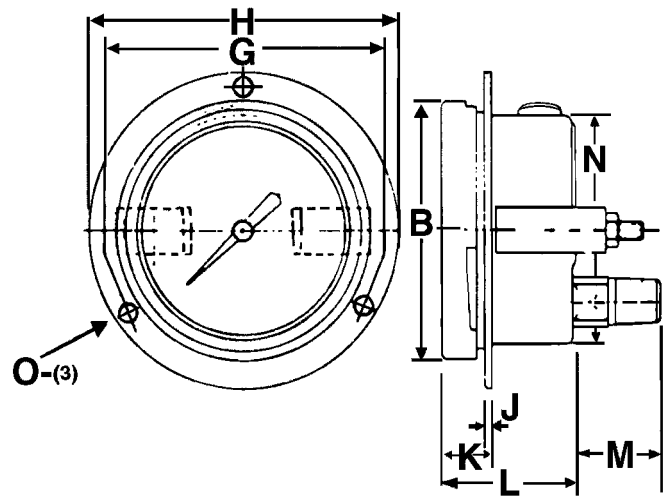
(#) Insert Range Code from Range Selection Table

# 4" Severe Duty Gauge

**Stem Mount**



**Flush Mount with Flange Holes  
or with 2 Clamps\***



**G Series - 4" Severe Duty Gauge**

Size	Conn.	A	B	C	D	E	F	G	H	J	K	L	M	N	O
4" (100mm)	1/4" or 1/2" NPT	3.46 <sub>T</sub> (88)H	4.57 (116)	2.07 (52.5)	0.49 (12.5)	5.47 (139)	0.87 (22)	5.39 (137)	5.83 (148)	0.08 (2)	0.75 (19)	2.22 (56.5)	1.16 (29.5)	4.02 (102)	0.22 (5.5)

**Note:** Panel cutout for 4" is 4.1" (104mm).

\*..... Panel mount models with rear clamp supplied with small mounting flange that extends only to the diameter of the front ring ("B" dimension).

H..... 1/4" NPT "A" dimension is 3.31 (84mm).

II..... Elongated mounting holes (3) fit ANSI-3.13" (79.5mm) bolt circle / 4.5mm mounting holes and DIN-2.9" (75mm) bolt circle / 3.8mm mounting holes.

Distributed by: